

Series TPW Three Point Lift Rice Levee Harrow

For use with tractors in the 35 to 50 horsepower range

Specifications

9-1/2" (241 mm) Disk Spacing; 1-5/8" (41.3 mm) Round Axles. Equipped With Tapered Roller Bearings.

Model	BUSH & BOG Approx. Width of Cut ft./in. (mm)	BEDDING Approx. Width of Cut ft./in. (mm)	No. of Disks	*Suggested		Weight Per Disk lbs. (kg)	Net Weight lbs. (kg)
				PTO. HP.	DB. HP.		
TPW-8B	6' - 6" (1981)	8' - 0" (2438)	8	40 - 57	35 - 50	181 (82)	1,450 (658)
TPW-8BFM	Not Applicable	10' - 0" (3048)	8	40 - 57	35 - 50	184 (84)	1,470 (667)
TPW-12B	Not Applicable	10' - 0" (3048)	12	40 - 57	35 - 50	130 (59)	1,556 (706)

*PTO Horsepower and Drawbar Horsepower are suggested ranges and vary according to soil conditions and weight added to harrow.

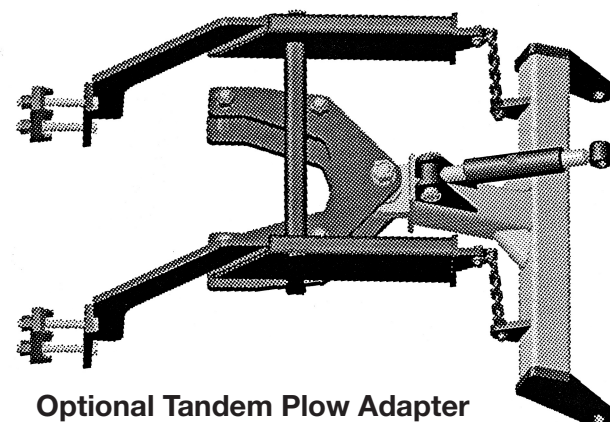
Standard Equipment

- Disk Blades, cutout (notched), deep concavity.
TPW-8B, TB8BFM - 24" (610 mm) dia., 1/4" (6.5 mm) thick.
TPW-12B - Tapered Six Disk Gangs. Blade diameters: 24", 22", 20", 18", 16", 14".
- Mechanical Angling Control.
TPW-8B and TPW-8FM only.
- Hitch Pins for Category III and Category IIIN Quick Hitch Arrangements.
- Adjustable Disk Blade Scrapers.

Optional Equipment

- Disk Blades, round (smooth), 24" x 1/4".
TPW-8B and TBW-8BFM only.
- Heavy Duty Bearing Wear Plate Group, T-1.
- Tandem Plow Adapter Group.
- Conversion Kit Front Mount.
TPW-8B to TBW-8BFM.

Per ASAE S290.1. Width of cut will vary with gang angle and disk blade diameter.



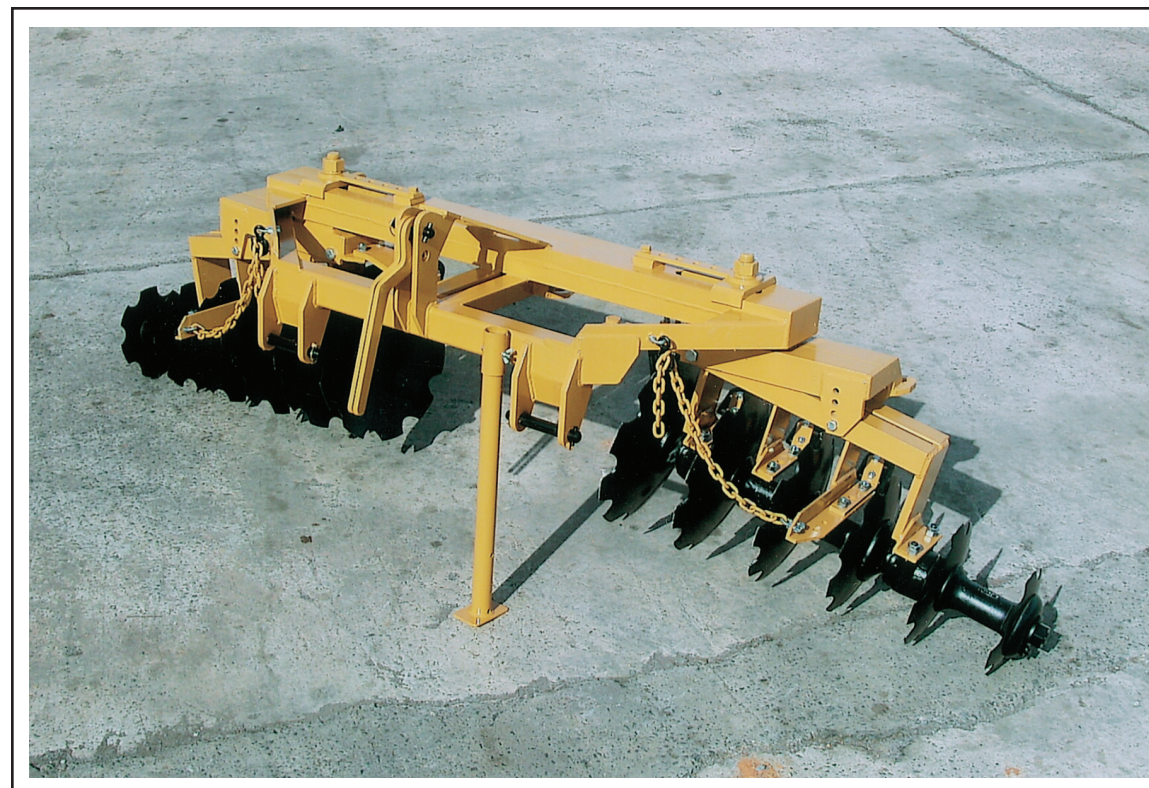
Optional Tandem Plow Adapter



ROME PLOW COMPANY, L.P.

475 Sixth Street
P.O. Box 48,
Cedartown, GA 30125, USA
www.romeplow.com

Telephone: (770)748-4450
(800)241-7860 (USA)
FAX: (800)553-2865 (USA)
FAX: 770-748-4427



FEATURES

- Ideal tool for rice levee / dike construction and maintenance.
- Tapered gangs build high beds with minimal outside furrows (TPW-12B only).
- Designed and tested for strength and dependability.
- Turns soil toward center of levee in bedding position or outward toward edges in the bush and bog position (Model TPW-8B only).
- Angling rods are located near the center of the gangs and parallel to the line of harrow travel, minimizing bending loads and damage from obstructions.
- Adjustments allow quick reversal of disk gangs (Model TPW-8B only).
- Eight inches (203 mm) maximum depth of penetration.