



Series

AH-EP

Hinge-Wheel Combination Harrow

For Caterpillar Challenger Series or track-type tractors



ROME Model AH-280EP End Pull Special Harrow

FEATURES

- | Completely new , patented hinge-wheel offset harrow line concept - built rugged and designed for long, trouble-free operation.
- | Combines the superior uniform leveling and mixing capability of the hinge harrow with the transportability of the wheel harrow.
- | End pull transport capability allows the operator to go from plowing in the field to road transportation in a few minutes with minimum effort.
- | New gang assembly design positions the bearing and spacer assemblies behind the gang carriers in order to provide additional clearance which minimizes clogging.
- | Reinforced scrapers clean disk blades more efficiently.
- | Full range of adjustments to control depth of penetration - up to 10 inches maximum with standard 32 inch disk blade.
- | Angle adjustment from 0° to 45°. "On the go" adjustments with hydraulic control.



Specifications

Model AH-280EP End Pull Special Harrow

14" (356 mm) Disk Spacing; 2-1/8" (54 mm) Round Axles. Equipped with Greasable Tapered Roller Bearings.

Model Number	Width of Cut ft. (m)	No. of Disks	* Suggested		No. of Tires and Ply	Wt. per Disk lbs. (kg)	Approx. Net Wt. lbs. (kg)
			DB. PP. (DBkgP)	DB. HP. (PTO-HP)			
AH-280EP	15' - 0" (452)	28	16900 - 18900 (7666 - 8573)	225 - 252 (259 - 290)	(4) 11L x 15 10 Ply	484 (220)	13,550 (5693)

* Drawbar Pounds Pull, PTO Horsepower and Drawbar Horsepower are suggested ranges and vary according to soil conditions and weight added to harrow. Harrow weights shown are with standard 32" x 3/8" thick, cutout, deep concavity disk blades.

Standard Equipment

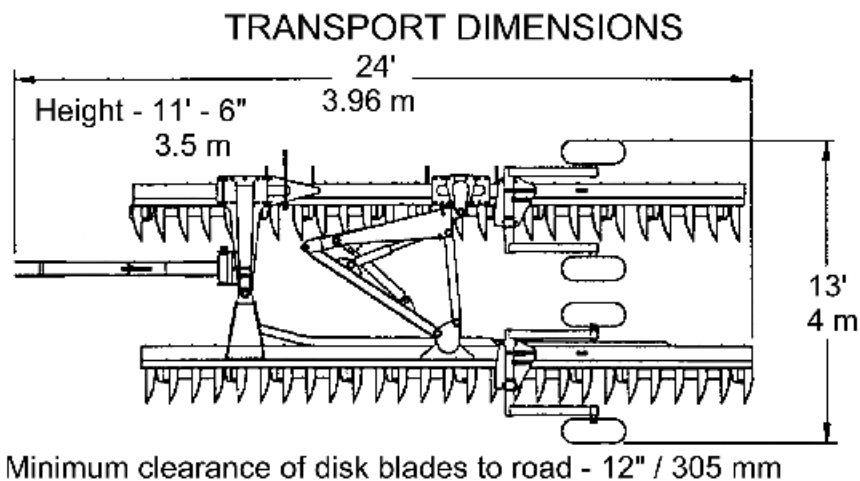
- ‡ 32" (813 mm) dia., 3/8" (10 mm) thick, cutout (notched) deep concave. disk blades.
- ‡ Highway Service Tires.
- ‡ (4) Four 11L x 15 - 10 ply.
- ‡ Adjustable disk blade scrapers.
- ‡ Hydraulic Quick Coupler.

Standard Equipment continued

- ‡ Hydraulic Angle Control.
- ‡ Heavy Duty Bearing Wear Plates
- ‡ End Pull Capability.

Note:

Per ASAE S290.1. Width of Cut will vary with gang angle and blade diameter



ROME PLOW EQUIPMENT CO., LLC

475 Sixth Street
P.O. Box 48,
Cedartown, GA 30125, USA
www.romeplow.com

Telephone: (770) 748-4450
(800) 241-7860 (USA)
Fax: (800) 553-2865 (USA)
Fax: 770-748-4427

This document was created with Win2PDF available at <http://www.daneprairie.com>.
The unregistered version of Win2PDF is for evaluation or non-commercial use only.